

# LOFTDEUR

## Installation Instruction for Steel Door with Side Panel

### Before getting started:

### Read these instruction completely before starting:

#### WARNING

- Failure to wear proper safety gear (i.e., eye protection) may result in serious injury or death. Always wear proper safety gear before using power tools.
- Improper operation of power tools may result in loss of control, serious injury or death. Always ensure you have complete control of the power tool and the work area is free of hazards before operating a power tool.
- Lack of secure clamping of the door may result in unexpected movement of the door, loss of power tool control and serious injury or death. Always securely clamp the door in place before cutting, or drilling, the door.
- Lack of, or improperly installed Anti-jump Disc may result in the door coming off the track and cause serious injury or death. Installation of Anti-jump Discs are required for safe operation of this hardware. Installed properly, these discs will keep the door securely attached to the track.

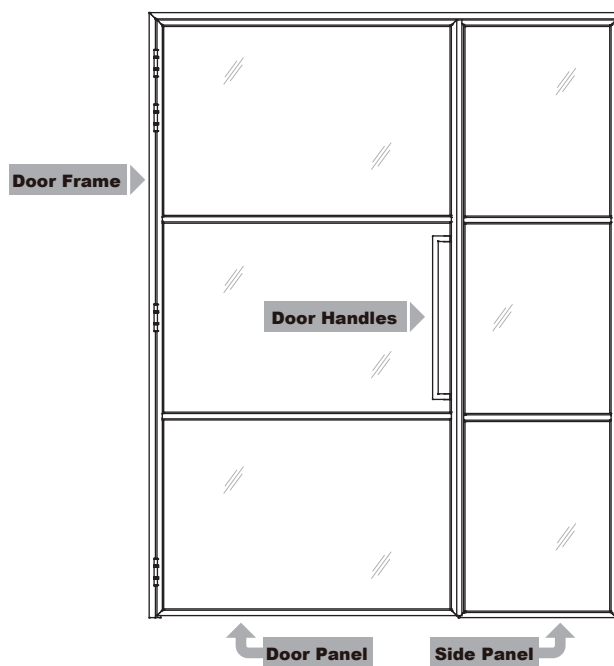
#### CAUTION

- Mishandling of heavy objects (i.e., doors) may cause a loss of balance and serious injury. Always be sure you have a secure hold on the object and are balanced before moving the object. Always wear safety shoes when lifting heavy objects.
- Getting body parts (i.e., hair, fingers) caught in moving parts may cause pinching and serious injury. Do not put fingers in parts that may move and always remove or contain anything on your body that may become entangled with a moving part.
- Closing sliding doors with your hand on the end of the door may result in your hand, or fingers, getting caught between the door and other solid objects (i.e., another door, molding) causing serious injury. Always use the door handle to close doors.

#### NOTICE

Use of excessive force when opening, and closing, the door(s) may result in damage to the hardware. Always hold the handle and gently open and close the door(s).

### Door elements



### Door elements:

- These ready to be installed doors include pre-assembled door frame, door panel, side panel and door handles.
- Also the necessary components for installation already in the accessory bag.

### Tools for installation:

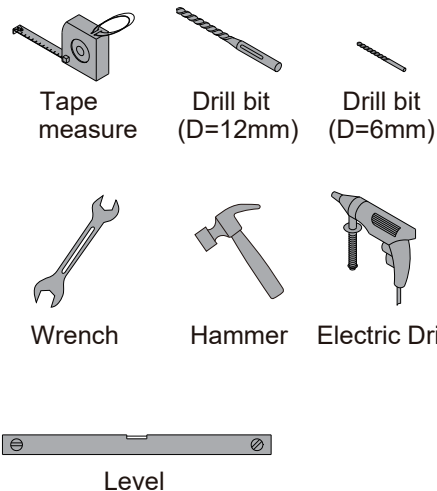
During the installation you will need tape, a meter, a level, a wrench, a cutter knife, a drilling machine, a pencil and a hammer.

### Preparations:

It's important to verify if the width of the door is wide enough for your opening. You can check this by measuring your opening on the top, in the middle and at the bottom. The lowest value found on the opening needs to be greater or equal to the width of the door.

Choose the position and direction of your door. Left open or Right open?

### Tools



## Installation of door frame in below steps:

### Step 1: Preparation of the wall opening:

- 1.1 Trim your wall opening (Left, Right and Top) to greater or equal than the width and height of the door frame.

Before fitting the door frame it is recommended to check if the hinge part of the door frame and door leaf fit.

### Step 2: Fitting of door frame & door in the opening:

- 2.1 Fix the door frame with a wedge min. 1 mm above the ground into the door opening. The 1 mm play is necessary to avoid damage by water. Please ensure at the same time that 2 vertical legs of the door frame are level towards each other. This is important in case your floor is not level.
- 2.2 Please fix the door frame temporarily in place in the door opening with the help of wedges. Do this between frame and wall at the upper left and right corner of the door opening.
- 2.3 Level the hinge jamb with the wall vertically as well as horizontally and fix the position temporarily with wedges.
- 2.4 Level now the lock jamb with the wall vertically as well as horizontally and fix the position temporarily with wedges.
- 2.5 Permanently fixing the door frame can be done in 2 ways:

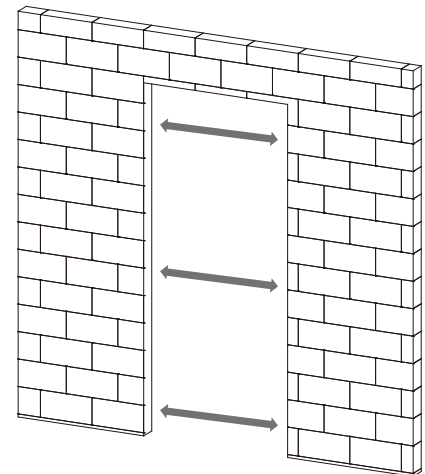
**Option 1:** Fix the door frame permanently with PU foam. Apply a limited amount of montage foam between the wall and the door frame.

**Option 2:** Fix the door frame with distance screws. (Advice for heavy doors): Drill holes through the mounting holes on the frame. Screw the distance screws to fix the frame. Apply a limited amount of montage foam between the wall and the door frame.

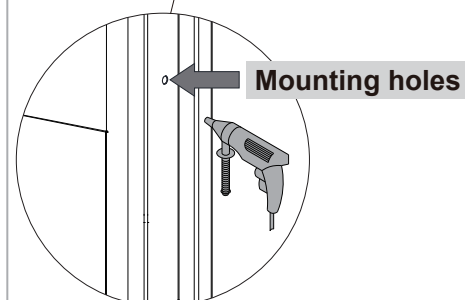
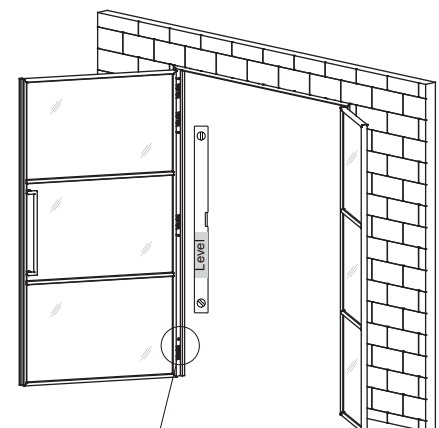
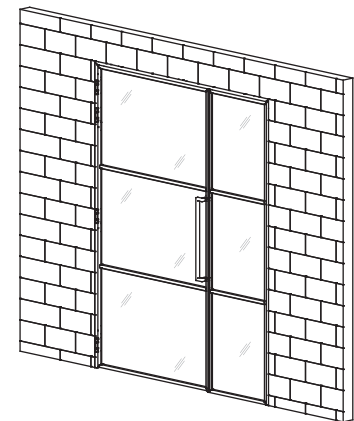
- 2.6 Drying time +/- 60 min. Remove the surplus of foam with a knife.

**Attention:** only fill up the open joints partially, the foam expands after application.

Width of opening



Fitting of the door



## Important notes:

- Before installation you need to verify your home is dry enough. Doors should only be installed when the wall moisture is equal or below 10%.
- These doors are only suitable for internal use.
- Stock these doors dry and horizontal before installation.
- Treat your doors with care after removing the package to avoid that those get damage.

